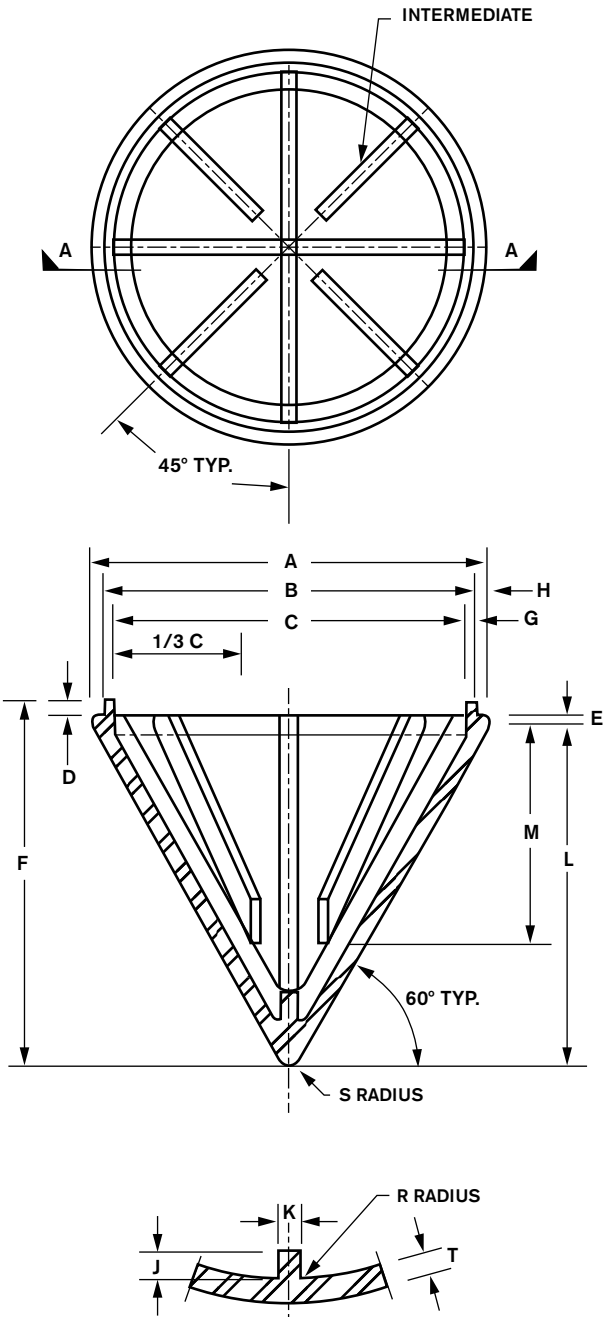


CONICAL POINT

Model CP99



MATERIAL: CAST STEEL

ASTM A27 65/35

Normal foundry tolerances apply

| PIPE SIZE | 12" | 16" | 18" | 20" | 24" | 36" |
|---------------|---------|--------|--------|--------|--------|--------|
| A | 12" | 16" | 18" | 20" | 24" | 36" |
| B | 10.75" | 14.75" | 16.75" | 18.75" | 21.75" | 33.75" |
| C | 9.75" | 13.75" | 15.75" | 17.75" | 20.75" | 32.75" |
| D | 0.75" | 0.75" | 0.75" | 0.75" | 0.75" | 0.75" |
| E | 0.50" | 0.50" | 0.50" | 0.50" | 0.50" | 0.50" |
| F | 12" | 14.75" | 16.75" | 18.50" | 21.75" | 31.75" |
| G | 0.50" | 0.50" | 0.50" | 0.50" | 0.50" | 0.50" |
| H | 0.625" | 0.625" | 0.625" | 0.625" | 1.125" | 1.125" |
| J | 0.75" | 0.875" | 1.00" | 1.00" | 1.25" | 1.50" |
| K | 0.4375" | 0.50" | 0.50" | 0.50" | 0.625" | 0.625" |
| L | 10.75" | 13.50" | 15.50" | 17.25" | 20.50" | 30.50" |
| M | - | - | - | 13" | 15" | 23.50" |
| R | 0.1875" | 0.25" | 0.25" | 0.25" | 0.375" | 0.375" |
| S | 0.50" | 0.50" | 0.50" | 0.50" | 0.50" | 0.50" |
| T | 0.625" | 0.625" | 0.75" | 0.75" | 0.75" | 0.75" |
| LONG | 4 | 4 | 4 | 4 | 4 | 4 |
| SHORT | - | - | - | 4 | 4 | 4 |
| WEIGHT | 70# | 120# | 135# | 175# | 250# | 548# |



**ASSOCIATED PILE
& FITTING**

45 Samworth Road, Clifton, NJ 07014

Tel: 973-773-8400

Fax: 973-773-8442

email: apf@associatedpile.com

www.associatedpile.com

Call Toll Free: 800-526-9047